



WINCHES



ULTIMATE PERFORMANCE SERIES FOR THE SERIOUS OFF-ROADER

- Industry-leading technology
- No-compromise construction
- Highest performance and reliability
- Extreme sealing
- WARN Limited Lifetime Warranty



NEW



NEW

9.5xp EXTREME PERFORMANCE

TOP OF THE LINE. FAST AND POWERFUL.

- Now available in two versions: wire rope with roller fairlead, or WARN Spydura™ synthetic rope with polished aluminum hawse fairlead
- High-output parallel series wound winch motor is the strongest and most durable in the industry
- Extreme-duty winch sealing. Enables superior water resistance
- Exclusive brake design. Provides superior operator control when winching
- Extended-duty control pack delivers long duty cycle to tackle the most demanding pulls
- 3-Stage planetary geartrain. Proven to be the most reliable efficient and durable design
- Remote-mount, next-generation control box allows for various mounting options
- Remote control with 12' (3.7m) lead
- High gloss, chip-resistant powder coat finish. Provides superior corrosion resistance
- 100' of steel or synthetic winch rope

PN 68500 (9.5xp, wire rope, roller fairlead, 12V)

PN 87310 (9.5xp-s, synthetic rope, hawse fairlead, 12V)

9.5cti CONTACTOR EQUIPPED, THERMOMETRIC

THE NEWEST ADDITION TO THE WARN ULTIMATE PERFORMANCE WINCH LINEUP

- Now available in two versions: wire rope with roller fairlead, or WARN Spydura™ synthetic rope with polished aluminum hawse fairlead
- New contactor control features exceptional durability, extra long life, and superior weather sealing
- Motor-mounted thermal sensor relays temperature information to winch operator by way of the hand-held remote control with LED indicator
- Redesigned remote control with thermometric indicator light
- Series-wound motor and 3-stage planetary geartrain deliver 9,500 lbs. of pulling capacity
- Extreme-duty winch sealing system
- High gloss, chip-resistant black powder coat finish over a massive cast-aluminum alloy housing
- Comes with steel or synthetic winch rope, hook, remote control on 12' (3.7m) lead, and roller or hawse fairlead

PN 97550 (9.5cti, with wire rope and roller fairlead)

PN 85760 (9.5cti Multi-Mount, with wire rope, steel hawse fairlead, and quick-connect wiring)

PN 85757 (9.5cti Multi-Mount for the H2 Hummer, wire rope)

PN 97600 (9.5cti-s, with synthetic rope and aluminum hawse fairlead)

PowerPlant™ Dual Force

COMBINES AN AIR COMPRESSOR WITH A WARN WINCH FOR THE ULTIMATE ON-BOARD TOOL

- Winch features a 3-stage planetary gear train, series-wound motor with thermal protection switch, free-spooling clutch, integrated direct-drive cone brake
- Available in two configurations: PowerPlant HP: 9,500 lbs. pulling capacity, 125' of 5/16" (38m of 8mm) wire rope, fast line speeds; PowerPlant HD: 12,000 lbs. pulling capacity, 80' of 3/8" (24m of 9.5mm) wire rope, long duty cycle
- Air compressor delivers enough air to operate a variety of air tools or quickly inflate a raft. Max air pressure: 100 PSI, CFM rating: 12 CFM @ 0 PSI, 5 CFM @ 90 PSI. Onboard features include: integrated intercooler, pressure switch, thermal protection shutoff switch and air hose quick disconnect
- Includes next-generation remote control, hose, and basic air fittings and couplings

PN 71800 (PowerPlant HP), **PN 71801** (PowerPlant HD)



ACCESSORIES

WINCHES



HEAVYWEIGHT SERIES BIG WINCHES FOR BIG TRUCKS

- Most powerful winches on the market
- Pulling capacities up to 16,500 lbs.
- High strength carrier plates to handle the heavy gear train stresses
- WARN Limited Lifetime Warranty



M12000

CHAMPION WORKHORSE FOR HEAVY-DUTY WINCHING

- 3-stage planetary gear train combined with a 4.6 hp series-wound motor produce 12,000 lbs. of pulling power
- Design is low profile so it fits where you want
- No-load retrieval speed is fast — 30 feet/minute
- 125 ft. of 3/8" wire rope, hook, remote control roller fairlead and battery cables

PN 17801



M15000

15,000 LBS. OF BRUTE PULLING STRENGTH

- A heavy-duty 15,000 lb. capacity winch
- 4.6hp series-wound motor
- Comes with 90 feet of wire rope, remote control, and roller fairlead
- Direct drive cone braking system
- No-load retrieval rate is 22 ft./minute; full-load is 2.5 ft./minute

PN 47801



16.5ti

HIGHEST CAPACITY, MOST TECHNOLOGICALLY ADVANCED WINCH FOR BIG TRUCKS

- Series-wound motor and 3-stage planetary gear train delivers 16,500 lbs. of pulling power
- Thermometric indicator provides operator feedback on motor temperature
- Extreme duty winch sealing system enables superior water resistance
- Exclusive multi-segment cam actuated brake for positive operator control when winching.
- Comes with 90' of 7/16" wire rope, hook, remote control on 12' lead, clutch, roller fairlead and battery cables.

PN 68801



PREMIUM SERIES CLASSIC DESIGN. PROVEN PERFORMANCE.

- Long time best selling winches
- Competition grade power, speed and reliability
- Pulling capacities to 9,000 lbs.
- WARN Limited Lifetime Warranty



XD9000i

FAST AND RELIABLE IN REAL TRAIL CONDITIONS

- A favorite 9,000-lb. capacity off-road winch
- No-load retrieval line speed is fast — 38 feet/minute
- Integrated control pack
- 4.6 hp series-wound motor delivers big torque and power
- Runs cool with low amp draw for long winching duty cycles
- Proven 3-stage planetary gear train
- 125 ft. of wire rope, remote control, and roller fairlead

PN 27550 XD9000i winch

PN 37441 XD9000i Multi-Mount Kit. Includes winch, portable carrier and wiring for front of vehicle (not pictured).



XD9000

LONG-TIME BEST SELLER

- A durable 9,000 lb. capacity winch
- Compact body, separate control pack allows use in tight spaces
- No-load retrieval line speed is fast — 38 feet/minute
- 4.6 hp series-wound motor delivers big torque and power
- Roller fairlead reduces rope abrasion
- Proven split 3-stage planetary gear train system
- Comes with 100 ft. of 5/16" wire rope, hook, remote control on 12' lead, clutch, roller fairlead and battery cables

PN 28500

NEW



M8000

8,000 LB. WINCH THAT

OFFERS OUTSTANDING VALUE

- Available in two versions: wire rope with roller fairlead, or WARN Spydura™ synthetic rope with polished aluminum hawse fairlead
- New, next-generation electrical control box and hand-held remote control
- Low-profile design and separate control box allows for a wide range of mounting options
- Exclusive brake design provides superior control while winching
- Durable 3-stage planetary geartrain for smooth, reliable, operation
- Series-wound, high-speed motor provides fast line speed and strong pulls
- Chip-resistant powder-coated finish
- 100' of steel or synthetic rope

PN 26502 (wire rope, 12V), PN 265032 (wire rope, 24V)

PN 87800 (synthetic rope, 12V)

M6000

A COMPACT 6,000 LB. CAPACITY WINCH

- Line speed is fast across the pulling range — 48.5 feet/minute no-load retrieval rate, 10 feet/minute full-load pull rate
- 4.8 hp series-wound motor delivers big torque and power
- Runs cool with lower amp draw for longer winching duty cycles
- Comes with 80 ft. of wire rope, remote control, roller fairlead

PN 45880 M6000 Winch.

PN 39116 M6000 SDP Portable Winch. Includes 6000 lb. capacity winch, carrier, 50' wire rope, hook, 12' remote control, hawse fairlead and wiring for front of vehicle (not pictured).





WINCHES



ENTRY LEVEL SERIES WORLD-CLASS WARN PERFORMANCE AT A VERY COMPETITIVE PRICE.

- Delivers the best value for the entry-level winch user
- WARN Limited Lifetime Warranty



VR12000

BIG ON POWER AND BIG ON VALUE

- Legendary WARN reliability and performance; 12,000 lb. (5440 kg) capacity
- Low-profile design will fit most trucks and SUVs
- Separate control pack for various mounting options
- Exclusive brake design for superior winching control
- Durable, smooth, and reliable three-stage planetary geartrain
- Series-wound motor for power and fast line speed
- Remote control with 12' (3.7m) lead
- 94' of 3/8" (28.6m of 9.5mm) diameter wire rope

PN 86260



VR10000

BIG POWER, BIG TORQUE, NOT-SO-BIG PRICE

- Available in two versions: wire rope with roller fairlead, or WARN Spydura™ synthetic rope with polished aluminum hawse fairlead
- Legendary WARN reliability and performance; 10,000 lb. (4536 kg) capacity
- Low-profile design will fit most trucks and SUVs
- Separate control pack for various mounting options
- Exclusive brake design for superior winching control
- Durable, smooth, and reliable three-stage planetary geartrain
- Series-wound motor for plenty of power and fast line speed
- Remote control with 12' (3.7m) lead
- 94' (28.6m) of wire rope, or 100' (30m) of synthetic rope

PN 86255 (VR10000, with wire rope and roller fairlead)

PN 87840 (VR10000-s, with synthetic rope and aluminum hawse fairlead)



VR8000

GREAT FOR LIGHTER TRUCKS, JEEPS, AND SUVs

- Available in two versions: wire rope with roller fairlead, or WARN Spydura™ synthetic rope with polished aluminum hawse fairlead
- Legendary WARN reliability and performance; 8,000 lb. (3630 kg) capacity
- Low-profile design will fit most trucks and SUVs
- Separate control pack for various mounting options
- Exclusive brake design for superior winching control
- Durable, smooth, and reliable three-stage planetary geartrain
- Series-wound motor for plenty of power and fast line speed
- Remote control with 12' (3.7m) lead
- 94' (28.6m) of wire rope, or 100' (30m) of synthetic rope

PN 86245 (VR8000, with wire rope and roller fairlead)

PN 87835 (VR8000-s, with synthetic rope and aluminum hawse fairlead)

WINCH MOUNTING SYSTEMS



GEN II Trans4mer® MOUNTING SYSTEM

NEW DESIGN FROM WARN INDUSTRIES

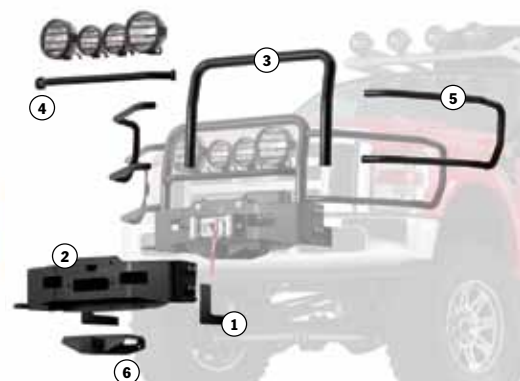
The newly engineered winch tray bolts directly to your vehicle's frame, making it easier than ever to mount a winch to a vehicle. Now, whether you simply need a strong, durable place to mount your WARN winch, or you want the top-of-the-line system with headlamp guards, grille guard, light bar, and a front receiver, the WARN Gen II Trans4mer system is more accessible, durable, and versatile than ever before.

See WARN application guide or call for application part number.

BASE KIT

This group of parts features the minimum amount of components needed to attach the Gen II Trans4mer to your vehicle. It allows you to mount either a WARN winch or up to four WARN lights on your truck.

- 1 Mounting Brackets**
 - Attaches to the system to the vehicle
 - Vehicle-specific application
- 2 Winch Tray**
 - Allows you to mount a WARN winch
 - Available for mid-frame or large-frame vehicles
 - Includes tow hooks
 - Black or stainless steel finish
 - Includes optional Light Mounting Bracket, allowing you to mount up to four WARN lights instead of a winch. Note: Light mounting bracket cannot be used with winch



OPTIONAL GEN II TRANS4MER PARTS

These optional parts can be added to the Base Kit, and allow you to get the most out of the Gen II Trans4mer.

- 3 Grille Guard** (Available in black or stainless steel finish)
 - Gives you extra protection to your vehicle's grille area
 - Allows you to mount other optional parts
 - Vehicle-specific application
- 4 Light Mounting Bar** (Available in black or stainless steel finish)
 - Lets you use up to four WARN lights with a WARN winch
 - Attaches to the Grille Guard; has three different mounting positions
 - Vehicle-specific application
- 5 Headlamp Guards** (Available in black or stainless steel finish)
 - Protects the area around your vehicle's headlamps
 - Attaches to Grille Guard
- 6 Receiver Bracket** (Black finish only)
 - Class III, 2" receiver for the front of a vehicle.
 - For use with WARN Multi-Mount system or receiver shackle
 - Universal fit

warn.com • ctpdistributorsinc.com

Grande Prairie 1-800-803-7785

Edmonton 1-888-422-9329

Calgary 1-877-237-7660

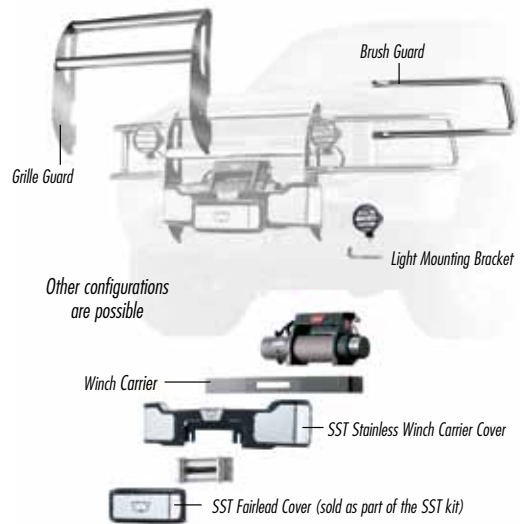
Port Kells, Surrey 1-800-663-5356

ACCESSORIES

WINCH MOUNTING SYSTEMS



TRANS4MER WITH FIXED WINCH MOUNT AND SST CARRIER COVER



Trans4mer® Mounting System

THE MOST VERSATILE MOUNTING SYSTEM ON AND OFF THE ROAD TODAY

- Six piece system includes grille guard, brush guard, winch carrier, stainless fascia, light bar and receiver
- Add entire system at once or experiment with different looks piece by piece
- Available for virtually every truck on the road—in black powder coat or polished stainless steel finishes
- Mounts around factory bumpers for easy installation
- Holds all WARN winches securely in the optimal position

See WARN application guide or call for application part number

Hidden Kit Winch Mounting System

FOR A MORE MODEST SHOW OF FORCE

- Designed for those who want the benefits of a WARN winch without having to change the original lines of their vehicle
- Currently available for most newer Chevrolet, GMC, Ford, and Dodge full-size trucks



Ford Super Duty and Excursion:

- Able to accommodate the Warn M12, M15 and 16.5ti winches with a slight adjustment of the bumper five inches outward
- Matte black ABS trim, applied to accentuate factory lines, can also be painted to match the vehicle color
- Winch controls are accessed from the top

'97-05 Ford 4x4 F150 and '97-02 Expedition:

- Winch mounts fully inside the factory bumper
- Wire rope is fed through a roller fairlead mounted beneath the bumper
- Controls area accessed through large air intake in the bumper

Heavy Duty Chevy and GMC kits:

- Includes a special XD9000 short-drum winch, only available as part of this kit, which was created to fit the special requirements of this mounting system
- The XD9000 winch includes a 5/16" x 50' long wire rope and is pre-assembled to the hidden kit's mounting bracket
- Designed to bolt directly to the truck frame so the only visible feature is the bumper and the integrated roller fairlead

Chevy and GMC 1/2 ton pickup and sport utility:

- System can handle up to the Warn 9.5ti winch
- Winch is hidden and protected behind the factory bumper
- Remote control extension allows remote to be plugged into location of your choice

HUBS

Standard Manual Hubs

OUR REPUTATION FOR QUALITY AND INNOVATION IS UNMATCHED IN THE INDUSTRY

- Designed to fit most 1/2, 3/4 and 1 ton 4WD vehicles. Same quality as original equipment hubs
- Features chrome-plated or painted housings and sure-turn dials for easy engagement
- Installation time is less than 1 hour per set
- Guaranteed for life

See application chart for part numbers



Premium Manual Hubs

BEST SELLING HUBS IN THE WORLD

- Made of new ZA27 super alloy body and durable, all metal components
- First choice for most 4WDs manufactured today
- Longer clutch-ring spline teeth and body spline area for better load handling
- Larger body wall thickness to optimize clutching strength
- Corrosion resistant, chrome-plated finish for long-lasting performance



See application chart for part numbers



WARN® Winch Mounting Plate for Jeep® Vehicles

TWO OPTIONS FOR MOUNTING A WARN WINCH*

- Option #1: A mounting plate that connects the classic M8274-50 to the standard factory bumper or the WARN Rock Crawler Bumper.
 - Option #2: A plate that mounts the XD9500i, XD9000i and other low profile winches to the standard bumper, optional factory tube bumpers, or the WARN Rock Crawler bumper.
- Choose from two optional grille guard tubes: one designed to fit the factory bumper, or another for the WARN Rock crawler bumper

See application chart for part numbers

* Winch mounting plate PN 87675 required for mounting M8274-50 to JK Stubby Bumper without grille guard tube. M8274-50 winch is not compatible with TJ Stubby Bumper and JK Stubby Bumper with grille guard tube



Winch mounting plate for JEEP TJ WRANGLER For mounting M8274-50 Winch

Winch mounting plate for JEEP TJ WRANGLER For all current WARN mid-frame winches, except M8274-50

Winch mounting plate for JEEP YJ WRANGLER For all current WARN mid-frame winches, except M8274-50

Winch mounting plate kit for JEEP JK WRANGLER For mounting M8274-50 Winch

Winch mounting plate for JEEP CJ WRANGLER For all current WARN mid-frame winches, except M8274-50

Quick Connect System

POWER CONNECTION FOR PORTABLE WINCHES

- Rear wiring and plug allow convenient connection and disconnection to the battery power source
- Includes the Power Interrupt kit, which allows you to disconnect power with a dash mounted switch



PN 32963 Quick Connect kit with 20' battery leads
PN 32966 Quick Connect kit with 24' battery leads

Quick Connect Booster Cables

- Provides convenient power connections that utilize the WARN heavy-duty Quick Connect system

PN 26769 16' booster assembly with connector clamps and 4' battery lead with plug
PN 26771 16' booster assembly with connector clamps (does not include 4' battery lead with plug)



Receiver Shackle Bracket

- Combines a heavy-duty receiver bracket with a 3/4" shackle
- Uses standard Class III receiver hitch as a recovery point



Wireless Winch Control

OPERATE YOUR WINCH WITH NO STRINGS (OR WIRES) ATTACHED

- Operate your truck's winch remotely from up to 50' away
- The system will work with any WARN winch with 5 wire electrical system
- For easy installation, the Wireless Control System comes with a receiver with an internal antenna, and all of the necessary mounting hardware is included
- Weather-proof transmitter has two large buttons that make it easy to operate, even while wearing gloves, and its two-color LED provides operator feedback



PN 76080

Snatch Block

- Aids in angled pulls
- Helps reduce winch heat build up and amp draw



PN 63490 30,000 lbs. maximum capacity heavy-duty snatch block, with grease port. For winch capacities to M150000 with 7/16" (11mm) wire rope

PN 15640 24,000 lbs./10886 kg maximum capacity heavy-duty snatch block, with grease port. For winch capacities to M120000 with 7/16" (11mm) wire rope

PN 61560 19,000 lbs./8618 kg maximum capacity snatch block, with grease port and overload indicator. For winch capacities to HS9500 with 5/16" (8mm) wire rope

Heavy-Duty Winch Accessory Kit

FOR HEAVY-DUTY WORK (24,000 LBS.), THIS IS WHAT TO CARRY. ALWAYS

- Includes snatch block, tree protector, shackle, gloves, choker chain, and 3" x 30' recovery strap
- All carried in compact, camouflage soft case

PN 29460 (Camouflage)



Medium-Duty Winch Accessory Kit

FOR WINCHES FROM 4,000 - 9,500 LBS. EVERYTHING YOU NEED IN ONE KIT

- Includes snatch block, tree protector, shackle, gloves, and 10' of 5/16" grade 7 choker chain with hooks
- Compact nylon soft case with 4 internal pockets

PN 25300 Kit with Red Bag

PN 37880 Kit with Camouflage Bag



Synthetic Rope

- Easier to handle than traditional wire rope
- 100' of 3/8"-diameter synthetic rope
- Constructed of a unique ultra high molecular weight polyethylene material
- Delivers high abrasion resistance and excellent tensile strength
- Coated with black urethane for increased UV and chemical resistance
- Includes a high temperature resistant sleeve on the first layer, and a unique self-tightening rope attachment designed to hold the rope secure on the winch drum
- A ballistic nylon sliding sleeve provides extra protection against abrasion and wear
- For winches with 10,000 lb. (4535 kg) pull rating or less



Remote Control Kit

FOR VEHICLE MOUNTED WINCH, 5 PRONG WITH PLASTIC PLUG

- Includes 12' lead and rubber hand grip
- Comes standard with Self-Recovery winches



PN 83665 Standard remote

PN 83653 Remote for PowerPlant

PN 83669 Remote for Endurance 12.0

PN 83658 Remote for 9.5ti

Roller Fairlead Cover

PN 60390 For Standard Mounting Kit



Tree Trunk Protector

- Rigging strap is used to secure winch rope to anchor point
- PN 25322 2" x 8' Rated at 14,400 lbs. breaking strength
PN 61415 4" x 8' Rated at 30,000 lbs. breaking strength. (For use with the M15000)





The WARN 15 Series:
Perfect for Sport Quads and Small ATVs



RT15 ATV Winch

With 1,500 lbs. of pulling power, this winch is great for getting a stuck sport quad or small ATV out of a sticky situation. Standard features include a sealed 0.4hp motor; 50' of 5/32" diameter aircraft-grade wire rope; a potted-and-sealed mini-rocker handlebar control; a compact waterproof contactor; and a howse fairlead.

PN 66200



XT15 ATV Winch

This is the top-of-the-line 1,500 lb. light-duty winch perfect for sport quads or small ATVs. It comes standard with 50' of 5/32" synthetic rope for light weight and easy handling; a sealed 0.4hp motor; a potted-and-sealed mini-rocker handlebar control; a compact waterproof contactor; and a roller fairlead.

PN 73150

The WARN 25 Series:
Industry Standard for ATVs



RT25 ATV Winch

With 2,500 lbs. of pulling capacity, this winch has plenty of muscle to pull a stuck ATV from the muck, plus it is fully sealed for plenty of protection against Mother Nature. Features include an all-new 0.9hp motor; 50' of 3/16" diameter aircraft-grade wire rope; an ergonomically designed clutch knob; a potted-and-sealed mini-rocker handlebar control; a waterproof contactor; and a roller fairlead.

PN 75000



XT25 ATV Winch

Here is the premium 2,500-lb. ATV winch. It comes with 50' of 3/16" diameter synthetic rope for less weight and easy handling, and features include an all-new 0.9hp motor; an ergonomically designed clutch knob; a potted-and-sealed mini-rocker handlebar control; a waterproof contactor; and a roller fairlead. Don't worry about the weather; this winch is fully sealed.

PN 75500

The WARN 30 Series:
Ultimate Power to Recover the Biggest ATVs



RT30 ATV Winch

This winch will rescue the heaviest of ATVs thanks to 3,000 lbs. of pulling strength, and it's fully sealed, meaning outside elements stay outside. Includes an all-new 0.9hp motor; 50' of 3/16" wire rope; an ergonomically designed clutch knob; a hand-held remote and a potted-and-sealed mini rocker handlebar control; a waterproof contactor; and a roller fairlead.

PN 76000



XT30 ATV Winch

This is the ultimate ATV winch! With 3,000 lbs. of pulling capacity, it can rescue the heaviest ATVs, and to keep the elements out, the winch is fully sealed. Premium amenities include a wireless remote with handlebar-mounted holster, and 50' of 3/16" diameter synthetic rope for reduced weight and easy handling. This winch also features a new 0.9hp motor; an ergonomically designed clutch knob; a potted-and-sealed mini-rocker handlebar control; a waterproof contactor; and a roller fairlead.

PN 76500



The mini-rocker switch and the wireless remote come standard with the XT30 winch

WARN ATV Winch Mounting Systems

- Warn mounting systems are built for nearly every ATV on the trail
- Each system is custom designed to fit specific ATV models
- Durable and long lasting, laser cut, robotically welded
- CNC bent for precise fit
- All necessary hardware included

See Warn Catalog or website for application part numbers





WARN PullzAll

HAND-HELD ELECTRIC PULLING AND LIFTING TOOL

- Electric pulling tool that replaces come-a-longs and chain falls
- Great for construction, pipe fitting, iron work, equipment/plant maintenance, farm and ranch use, auto shops, garages, machine shops, home improvement, hunting, camping and more.
- 1,000 lbs. of automated force to get lifting or pulling jobs done easily
- Variable speed control trigger with forward and reverse control button allows for precise movements
- Electronic load limiter with LED indicator protects against overload
- At 15 lbs., PullzAll is easy to use and portable
- 15' of 7/32" wire rope with industrial-grade rigging hook and swiveling anchor hook
- Available in corded and cordless models



PN 885000 Corded
PN 885005 Cordless

PullzAll Accessories

- PullzAll Rigging Kit **PN 68504**
- Car Charger for Cordless PullzAll **PN 685012**
- NiMH Battery for Cordless PullzAll **PN 685013**



WARN 1700 Utility Winch

A DYNAMO IN A SMALL PACKAGE

- 1,700 lb. pulling capacity
- DC-powered, 1.6 hp. motor requires minimal amp draw
- Clutch makes free spool simple
- Hand-held remote controls power-in and out
- Brake is a self-locking gear train that holds full rated load
- Tension plate keeps wire rope tightly wound
- Includes 35' of 3/16" wire rope with hook and fairlead

PN 91700



WARN 3700 Utility Winch

MEDIUM CAPACITY WINCH THAT MAKES TOUGH PULLING CHORES EASY

- 3,700 lb. pulling capacity
- 1.9 hp. permanent magnet motor and robust three-stage planetary gear design.
- Includes 60' of 7/32" wire rope with safety-clasp hook and roller fairlead.
- Wireless ready

PN 93700



WARN 4700 Utility Winch

MAKE WORK EVEN EASIER WITH A HIGH CAPACITY WINCH

- 4,700 lb. pulling capacity
- All metal gear housing and gear train.
- 1.9 hp. permanent magnet motor and patented split-ring gear design.
- 60' of 7/32" wire rope with safety-clasp hook.
- Wireless ready

PN 94700

Wireless Control System

- Control your utility winch from anywhere within a 50' range
- Rugged, water-resistant transmitter is ergonomically designed and easy to use
- Complete kit includes everything needed to add wireless control
- Compatible with any wireless-ready WARN utility winch

PN 79080



Hitch Adapter

FOR VEHICLE MOUNTING OF WARN WORKS WINCHES

- Use with the Universal Mounting Plate to mount WARN Works winches.
- Mounts to 2" Class III Receiver
- Hitch pin is included

PN 68531



Universal Mounting Plate

FOR WARN WORKS® WINCHES

- Provides a safe and stable mounting platform
- Can be permanently mounted to a platform surface, or it can allow the winch to be portable and anchored to a variety of objects

PN 70770





WARN PROVANTAGE PLOW SYSTEM

The WARN ProVantage ATV and Side x Side plow systems have been designed from the ground up to be the most versatile, durable, and high-performance powersports plow systems on the market. They're easy to connect, heavy-duty, and engineered to perform. And with a variety of useful, innovative accessories, they're the most complete plow system money can buy.

Features include:

- A variety of heavy-duty plow blades in sizes from 50" to 72"
- High lift height
- Rapid-connect, front-mount system for easy attachment—no crawling under the vehicle
- Plow mount does not interfere with ground clearance
- A variety of accessories to help you get the job done efficiently

