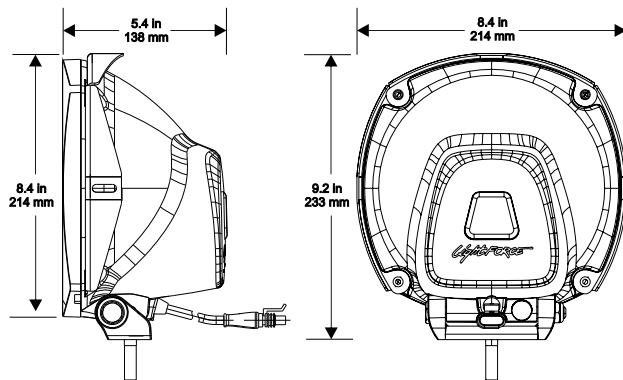


# THE SIZE YOU ASKED FOR

GENESIS is designed to fit in the popular standard 210mm / 8.5" type dimensional envelope

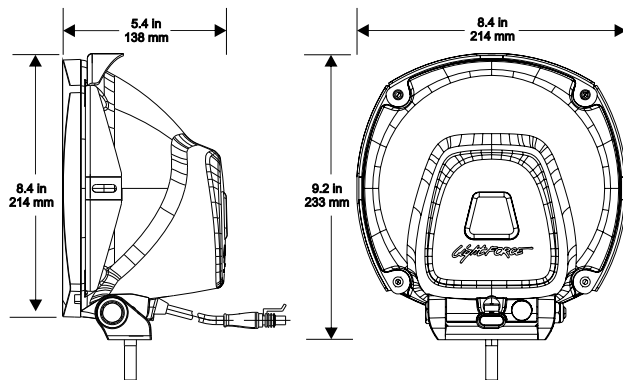
## GENESIS HALOGEN 'SPOT'

- Standard is 5000K 'SUPER WHITE' with 4200K NORMAL & 3200K 'ION YELLOW' as optional extras
  - Less than half the weight of our rivals
  - 15% larger reflector surface area
  - Hard-coated 'polycarb' lens
  - Sculptured alloy bezel
  - Mil spec gore-tex breather
  - Four different mounting depth options
  - Mounting bracket system (MBS)
  - Anti-theft kit options
- PART NO. DL210**



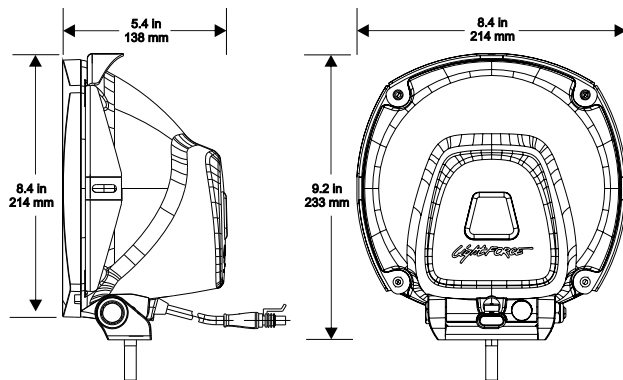
## GENESIS HALOGEN 'WIDE'

- 100W)
  - Standard is 5000K 'SUPER WHITE' with 4200K NORMAL & 3200K 'ION YELLOW' as optional extras
  - Less than half the weight of our rivals
  - 15% larger reflector surface area
  - Hard-coated 'polycarb' lens
  - Sculptured alloy bezel
  - Mil spec gore-tex breather
  - Four different mounting depth options
  - Mounting bracket system (MBS)
  - Anti-theft kit options
- PART NO. DL210W**

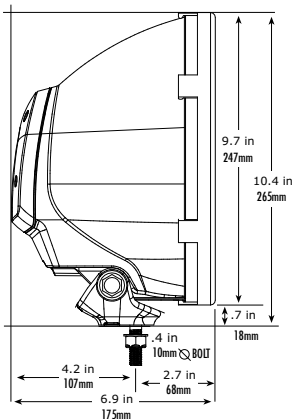


## GENESIS HID 'SPOT'

- 35W internal ballast
  - Standard is 5000K 'SUPER WHITE' with 4200K NORMAL & 3200K 'ION YELLOW' as optional extras
  - Less than half the weight of our rivals
  - 15% larger reflector surface area
  - Hard-coated 'polycarb' lens
  - Sculptured alloy bezel
  - Mil spec gore-tex breather
  - Four different mounting depth options
  - Mounting bracket system (MBS)
  - Anti-theft kit options
- PART NO. DL210H**



## NOT FOR THE MEEK OR MILD MANNERED

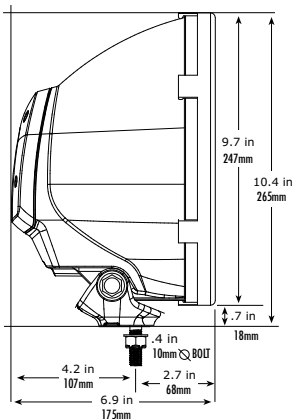


### 240XGT Halogen

The 240 XGT is built on the award winning HID type housing and mounting system incorporating a 12V Xenophot 100 watt bulb. The combination of inherent mechanical strength and powerful output have made this the choice for off-road racers and the hardcore enthusiast worldwide.

- Ideal long distance performance light
- 12V 100 watt Xenophot 2000 hour bulb @ (24V halogen version available)
- LIGHT OUTPUT (12V) | 730 000 candela | 1 lux @ 900 m
- Lightweight polycarbonate, glass filled nylon composite construction
- Best value for OFF-ROAD motor sport or hardcore enthusiast
- Partner with a set of 170 STRIKERS for ideal spread and scorching distance
- Gore-tex breather (IP57/67/68/IP69K) to protect against contaminant ingress
- Optional billet focal ring to increase beam width
- CLEAR SPOT clip-on polycarbonate filter supplied | Others available
- WEIGHT (single unit) 1.37 kg | 3lb .32oz

PART NO. DL240XGT

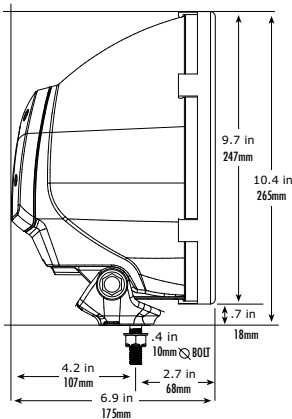


### 240XGT 35W HID

No other HID offers the tunability to alter the focal length of the bulb and beam angle as you desire. The parabolic reflector projects the maximum light available and to this day remains arguably one of the most powerful driving lights in the world. Trophy Truck, Class '1' or any cutting edge off-road machine that deserves the best? Your ultimate light awaits.

- Ultimate long range driving light ideal for high speed off-road motorsport
- LIGHT OUTPUT | 1 lux @ > 1200+ m
- Lightweight polycarbonate, glass filled nylon composite construction
- Gore-tex breather to protect against moisture/contaminant ingress
- 12V 35 watt HID (internal ballast - plug 'n play)
- Billet alloy focal rings for customizing beam angle pattern: 9.8° | 11.8°
- CLEAR SPOT clip-on polycarbonate filter supplied | Others available
- WEIGHT (single unit) 1.55 kg | 3lb 6.67oz

PART NO. DL240HID



### 240XGT 50W HID

Rated number one, best HID Spot by 4WD Action the 50w HID literally blew all other driving lights away with shattering performance that set new standards in the commercial truck and the heavy duty 4WD scene. Developed for long distance drivers who demand the best performance from their lights, your search is over.

- Distinctive red anodised bulb holder
- Easy install with Integral ballast all installed within the housing
- Available in either 12v (13.5v) or 24v (27v) operation, specify when ordering
- Phenomenal 5200 lumen output, an impressive 62% increase over conventional 35w HID
- Produces over double the intensity of the standard 35w HID light
- LIGHT OUTPUT | 1 lux @ > 1500+ m
- 4200°k Colour temperature
- European manufactured Gen 5 ballast with complete testing approvals and comprehensive certification
- 3000 hours rated bulb life. (based on standard switching cycle)

12V Operation DL240HID50W12V

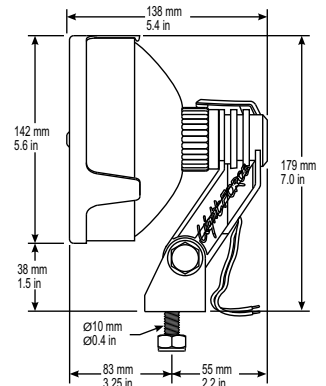
24V Operation DL240HID50W24V

## 140 LANCE™ • VERSATILITY PLUS

It may be small, but the 140 LANCE™ can be a wise choice! need high performance in a compact package, this is the answer. Off-road comp vehicles often install these as fog, winch, crawling or reversing lights with dispersion filters. Remember with LIGHTFORCE you can customise the colour and beam pattern to driving conditions! Make no mistake, even our smallest light is off-road race ready!

- Compact performance for any size or vehicle type
- 12V 75 watt Xenophot 4000 hour bulb (max wattage) 24V halogen available
- LIGHT OUTPUT | 110 000 candela | 1 lux @ 450 m
- Lightweight polycarbonate, glass filled nylon composite construction
- Ideal as a fog light (with opt. yellow / amber filter) or off-road reversing light
- Ideal for use as a winch light with a DISPERSION filter
- Gore-tex breather to protect against moisture/contaminant ingress
- CLEAR SPOT clip-on polycarbonate filter supplied
- WEIGHT (single unit) 460g | 1lb .2oz

12V 75W - RMDL140HT • HID 12V 35W - RMDL140LTHID

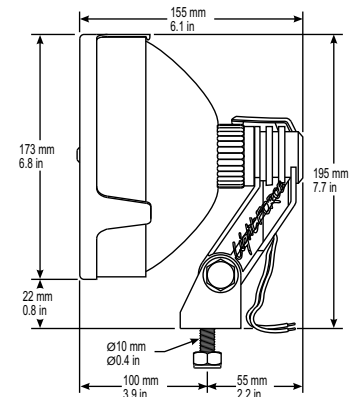


## 170 STRIKER™ • GIANT 'KILLA'

The mid-size 170 STRIKER™ outperforms many larger lights and is one of our most popular models worldwide. It's compact size makes it an easy install on most vehicles and with a set of COMBO or SPREAD filters it is incredibly versatile creating an ideal peripheral light pattern. Many race vehicles are equipped with a set of STRIKERS for their fill type output complimenting either the larger BLITZ/XGT or HID light for pure scorching distance.

- Compact performance but with optimum reflector size outperforming rivals
- 12V 100 watt Xenophot 2000 hour bulb (24V halogen version available)
- LIGHT OUTPUT (12V) | 350 000 candela | 1 lux @ 650 m
- Lightweight polycarbonate, glass filled nylon composite construction
- Light output can be tailored from wide, combo or long distance spot pattern
- Ideal additional light partnered w/240 BLITZ / XGT / HID for off-roading
- Gore-tex breather to protect against moisture/contaminant ingress
- CLEAR SPOT clip-on polycarbonate filter supplied | Others available
- WEIGHT (single unit) 560g | 1lb 3.75oz

12V 100W - RMDL170HT • HID 12V 35W - RMDL170LTHID



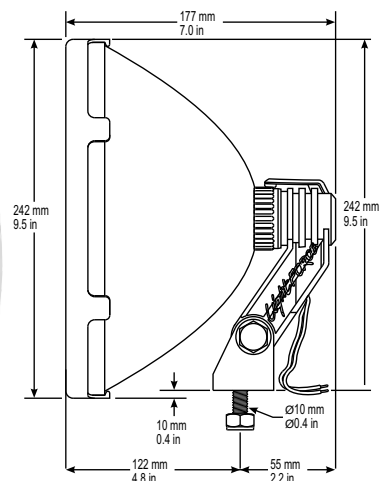
EMARK model compliance #HR PL 30 E2 0007091 • H1 12/24V 55/70W  
NOTE: If spacer removed or higher wattage bulb used, light will not be compliant.

## 240 BLITZ™ • OUTBACK LEG

The 240 BLITZ™ was our first true long distance light and began our reputation for high performance and light intensity. It was not long before it became a favourite in the heavy transport, freight industry in Australia, Europe and Alaska. The combination of extreme light output, lack of vibration and durability made it standard equipment in many commercial fleets. If you desire long distance, power and value for money, the 240 BLITZ is certainly worth considering.

- Ideal long distance performance light
- 12V 100 watt Xenophot 2000 hour bulb (24V halogen version available)
- LIGHT OUTPUT (12V) | 730 000 candela | 1 lux @ 900 m
- Lightweight polycarbonate, glass filled nylon composite construction
- Gore-tex breather to protect against moisture/contaminant ingress
- CLEAR SPOT clip-on polycarbonate filter supplied | Others available
- WEIGHT (single unit) 880g | 1lb 15oz

12V 100W - RMDL240T • HID 12V 35W - RMDL240THID



EMARK model compliance #HR PL E2 0006027-27,5 • H1 12/24V 55/70W  
NOTE: If spacer removed or higher wattage bulb used, light will not be compliant.

## CUSTOMIZE YOUR LIGHT IN SECONDS

Without any tools you can clip-on a filter and change the beam and or colour to have the ideal light for any conditions. Safety and versatility makes this concept a clear market winner. See better. Drive safer.



**SPOT FILTER**



**COMBO FILTER**



**WIDE FILTER**



**CRYSTAL BLUE**  
used to increase clarity



**YELLOW**  
used to enhance vision in fog, haze and dust



**BLACK**  
protects the light when not in use



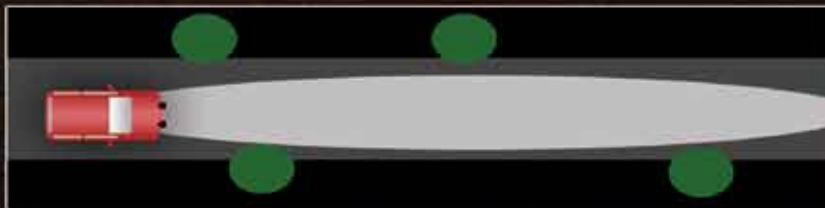
**BLUE**  
used to enhance visibility and safety when driving through the snow, in rain or through sea spray



**AMBER**  
used to enhance vision when off-road and driving through haze and dust



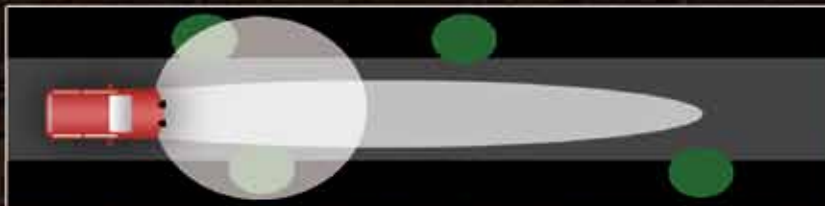
**INFRA-RED**  
used in conjunction with infra-red goggles by the military, police and security companies



### SPOT FILTER

Allows maximum distance vision.

Available Sizes: 140mm, 170mm, 210mm and 240mm



### COMBO FILTER

Gives a wide beam pattern plus the bonus of long distance all in one.

Available Sizes: 170mm, 210mm and 240mm



### WIDE FILTER

Maximises the beam spread and gives broader peripheral vision. This enables the user to see potential hazards and enhances driving and performance.

Available Sizes: 140mm, 170mm and 210mm

### 140MM LANCE MODULAR FILTER SYSTEM



SPOT WIDE SPOT WIDE SPOT WIDE SPOT SPOT PROTECTIVE



### 170MM STRIKER MODULAR FILTER SYSTEM



SPOT COMBO WIDE SPOT COMBO WIDE SPOT COMBO WIDE SPOT COMBO SPOT COMBO PROTECTIVE

### 240MM BLITZ MODULAR FILTER SYSTEM



SPOT COMBO SPOT COMBO SPOT COMBO SPOT COMBO SPOT COMBO PROTECTIVE

### 210MM GENESIS MODULAR FILTER SYSTEM



SPOT COMBO WIDE SPOT COMBO WIDE SPOT COMBO WIDE PROTECTIVE

### 240MM XGT MODULAR FILTER SYSTEM



SPOT COMBO SPOT COMBO SPOT COMBO SPOT COMBO SPOT COMBO PROTECTIVE

Part No	Application	Part No	Application	Part No	Application
FCLD	Clear for 140	FBLUCSWSD	Combo Crystal Blue Filter for 170	FYBD	Spot Yellow Driving Filter for 240
FCSD	Clear for 170	FBLUCBWD	Combo Crystal Blue Filter for 240	CBLKLD	Cover Black Protective for 140
FCBD	Clear for 240	FYSWSD	Combo Yellow Driving Fog Filter for 170	CBLKSD	Cover Black Protective for 170
FCLWD	Wide Angle Clear Driving for 140	FYBWD	Combo Yellow Driving Fog Filter for 240	CBLKBD	Cover Black Protective for 240
FCSWD	Wide Angle Clear Driving for 170	FBLULD	Spot Snow Blue Driving Filter for 140	<b>GENESIS</b>	
FBLUCSWD	Wide Angle Crystal Blue Driving for 170	FBLUSD	Spot Snow Blue Driving Filter for 170	F210C	Clear Filter for 210
FYLWD	Wide Angle Yellow Fog Filter for 140	FBLUBD	Spot Snow Blue Driving Filter for 240	F210CB	Crystal Blue Filter for 210
FYSWD	Wide Angle Yellow Fog Filter for 170	FBLUCLD	Spot Crystal Blue Driving Filter for 140	F210CBS	Crystal Blue Spot Filter for 210
FCSWSD	Combo Clear Driving Filter for 170	FBLUCSD	Spot Crystal Blue Driving Filter for 170	F210CS	Clear Spot Filter for 210
FCBWD	Combo Clear Driving Filter for 240	FBLUCBD	Spot Crystal Blue Driving Filter for 240	F210Y	Yellow Filter for 210
FBLUSWSD	Combo Snow Blue Filter for 170	FYLD	Spot Yellow Driving Filter for 140	F210YS	Yellow Spot Filter for 210
FBLUBWD	Combo Snow Blue Filter for 240	FYSD	Spot Yellow Driving Filter for 170	C210BLK	Cover Black Protective for 210

lightforce.net.au • ctpdistributorsinc.com

Grande Prairie 1-800-803-7785

Edmonton 1-888-422-9329

Calgary 1-877-237-7660

Port Kells, Surrey 1-800-663-5356

# GENUINE LIGHTFORCE RETRO-FIT HID KIT

## TRANSFORM YOUR EXISTING RMDL LIGHTS TO A NEW LEVEL OF LIGHTING PERFORMANCE!

The easy to install kit contains the exact same componentary as our ready to buy RMDL HID SERIES. Many 'conversion' kits in the market place compromise quality & design integrity resulting in less than optimum performance. As we say on the previous page, the quality is in the detail. With the genuine LIGHTFORCE kit you are 'race ready' guaranteed.

### HID UPGRADE KITS

- #RMKIT32 - HID Upgrade Kit to suit single RMDL 12V 35W 3200°K Ion Yellow
- #RMKIT42 - HID Upgrade Kit to suit single RMDL 12V 35W 4200°K Natural White
- #RMKIT50 - HID Upgrade Kit to suit single RMDL 12V 35W 5000°K Super White
- #RMKIT2-32 - HID Upgrade Kit to suit single RMDL 24V 35W 3200°K Ion Yellow
- #RMKIT2-42 - HID Upgrade Kit to suit single RMDL 24V 35W 4200°K Natural White
- #RMKIT2-50 - HID Upgrade Kit to suit single RMDL 24V 35W 5000°K Super White



### BULBS FOR RMDL DRIVING LIGHTS

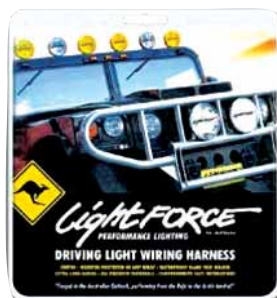
- |   |   |
|---|---|
| #GL02 - 100 Watt HF - Long Life - 12 Volt | #GL23 - RMDL HID Bulb 3200K 140, 170, 240 |
| #GL05 - 75 Watt VF - Long Life - 12 Volt  | #GL24 - RMDL HID Bulb 4200K 140, 170, 240 |
| #GL12 - 50 Watt VF - Long Life - 24 Volt  | #GL25 - RMDL HID Bulb 5000K 140, 170, 240 |
| #GL13 - 100 Watt VF - Long Life - 24 Volt |   |

# MUCH MORE THAN JUST DRIVING LIGHTS

### LIGHTFORCE WIRING HARNESS

Maximizing performance from your driving lights on your vehicle.

- Resistor protected 30A relay
- All required terminals
- Waterproof blade fuse holder
- Extra long cables (for larger vehicles)
- Positively or negatively switched



LFDLH

### SECURITY NUTS

The simple to install security nuts will help protect your investment against opportunist 'LIGHT' fingered thieves. Each kit consists of two half dome coded nuts and one keyed socket requiring a 21 mm, 13/16" spanner. These nuts will fit all LIGHTFORCE driving lights and other lights using a 10 mm bolt (M10 x 1.5).



ATN10MM  
DLSE210 - For Genesis